

WARD + ROBES



THE
DESIGNER'S
GUIDE



INTRODUCTION

Thank you for taking an interest in making a gown for the Ward+Robes initiative.

We all know being a teenager is tough, and being a hospitalized teen is even tougher. That's why Starlight Children's Foundation is looking to designers, like you, to create even more gowns for this uplifting initiative.

The gown you create will bring joy and a much needed sense of empowerment to a hospitalized teen.

OVERVIEW

This document contains a hospital gown pattern, design restrictions to maintain gown functionality, and instructions on how to send your gown to Starlight Children's Foundation.

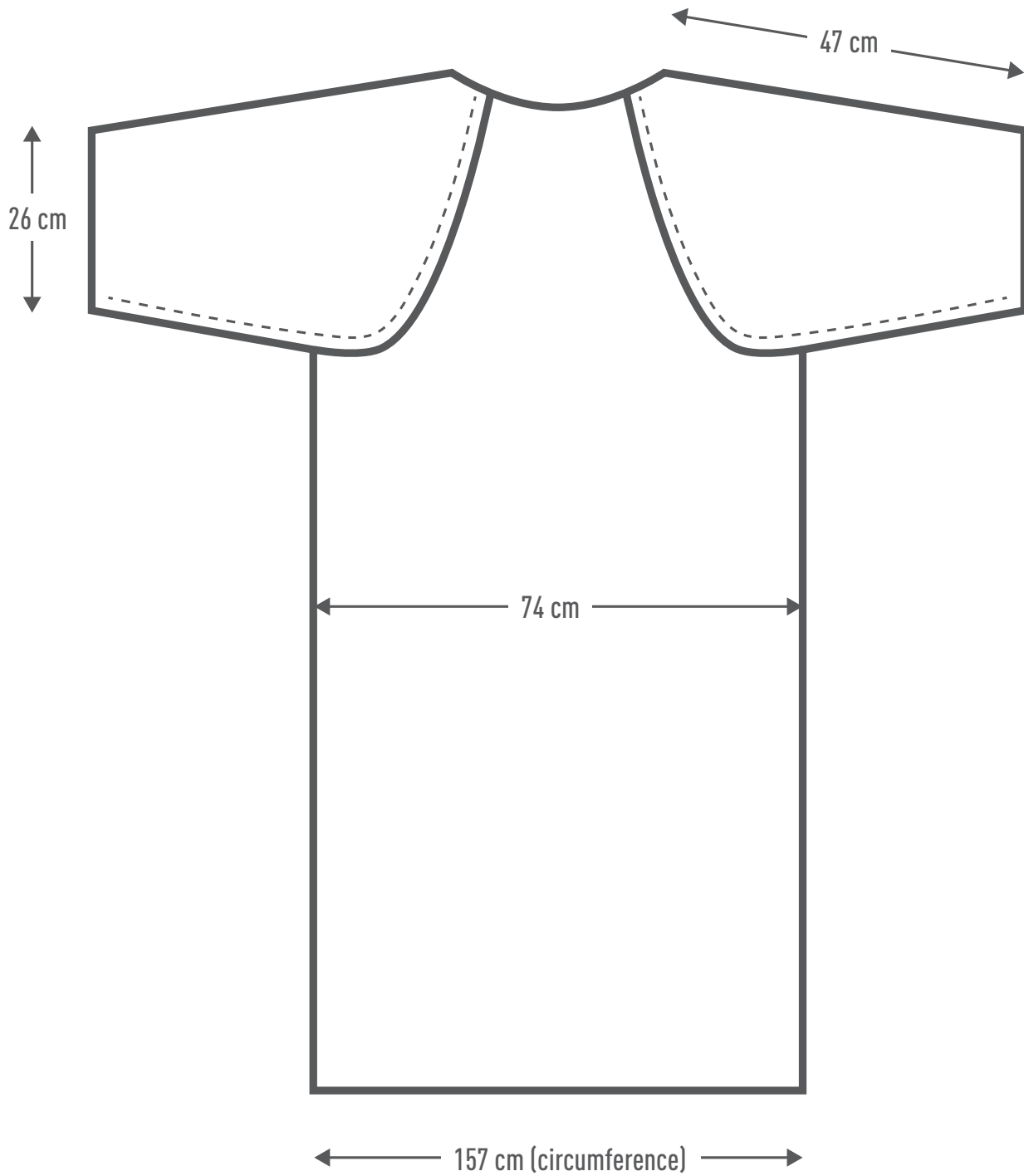
SPECIFICATIONS

These specs outline the standard issue hospital gown.

This will act as your basic pattern. The overall design and aesthetic is at your discretion. Feel free to alter the pattern, work with interesting fabrics, silkscreen etc.

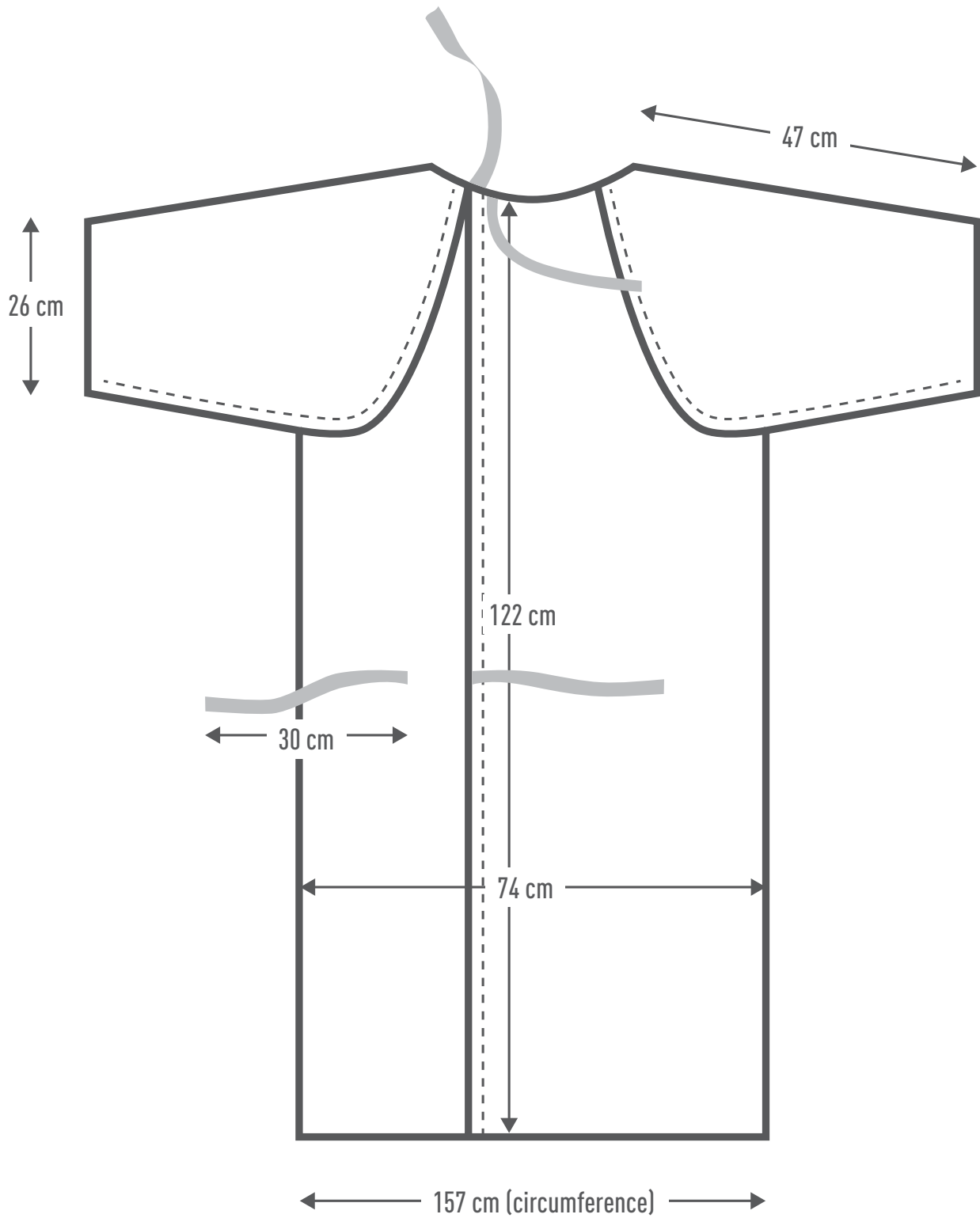
Please note that in order to maintain functionality, the gown must open at the back.

SPECIFICATIONS - FRONT



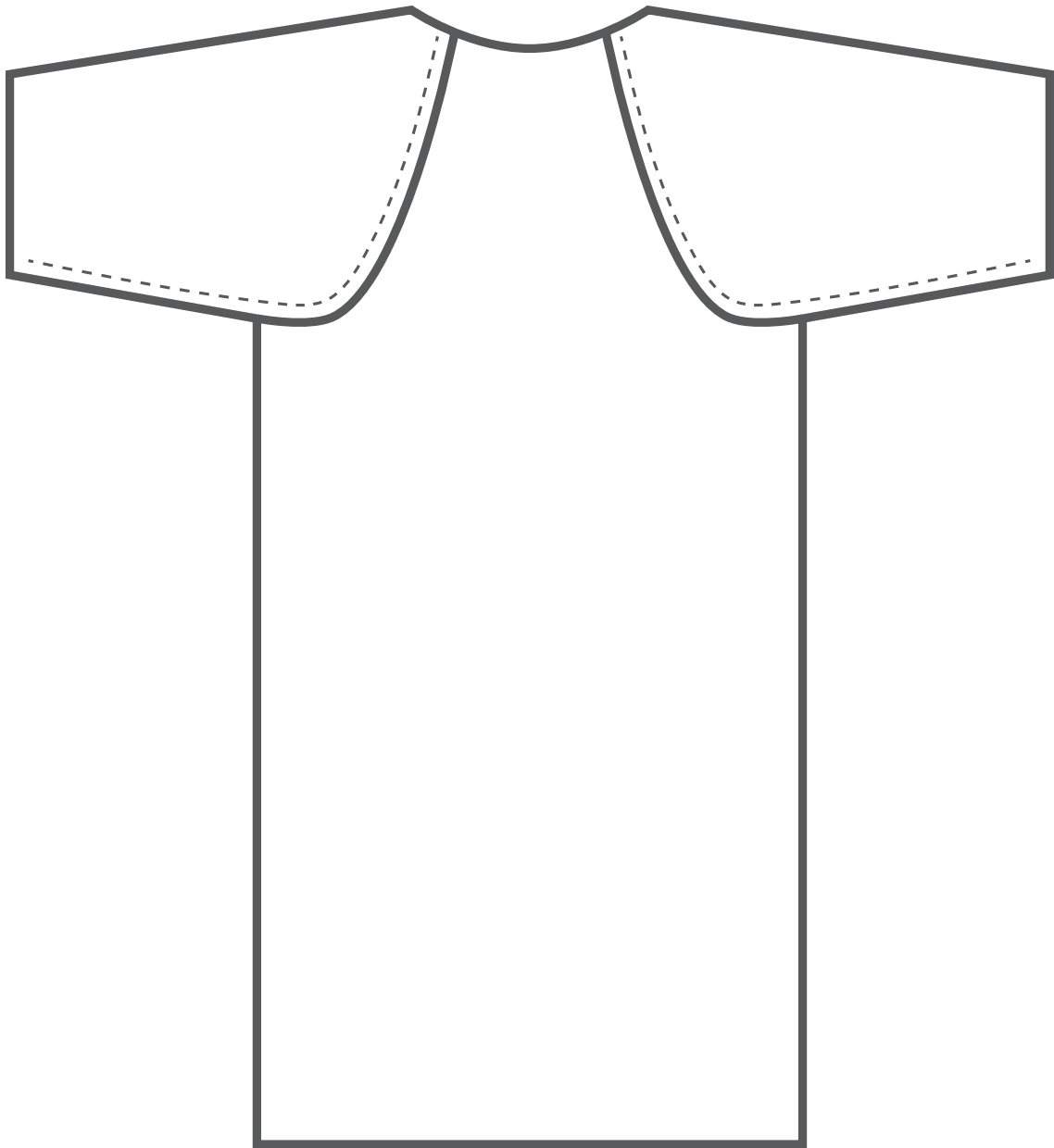
WARD + ROBES

SPECIFICATIONS - BACK

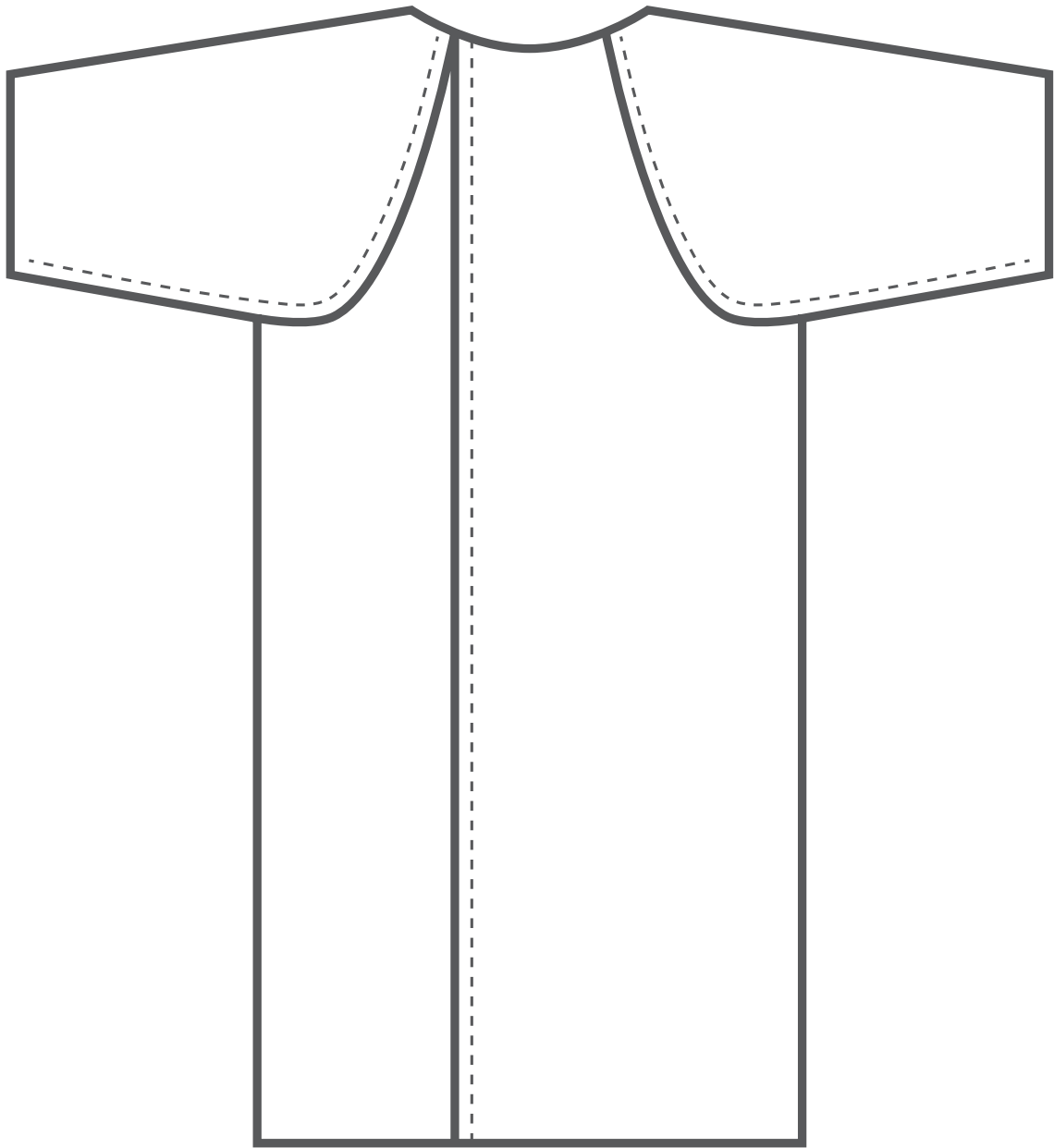


WARD + ROBES

PATTERN - FRONT



PATTERN - BACK



TIPS AND WATCH OUTS

While you are designing, please consider the following:

- ✔ Please consider the teens' mobility and comfort.
- ✔ Machine washable fabrics are preferred.
- ✘ Please do not use any latex/latex based elastics.
- ✘ No long hanging strings.

SUBMISSION FORM

Please complete this form, print it out and send it to us along with the gown you've created.

Name:

Company:

Address:
.....
.....

Email:

MAILING ADDRESS

Please send your gown and submission form to the following address.

Starlight Children's Foundation Canada
809-200 Consumers Road
Toronto, ON M2J 4R4
CANADA

CONTACT US

If you have any questions, please feel free to contact us at trevor.dicaire@starlightcanada.org

THANK YOU

Thank you for helping bring more Ward + Robes to hospitalized teens—we simply couldn't do it without you.